



OUTLINE DIMENSIONS

MOTOR TYPE:
AEHF--

DATE

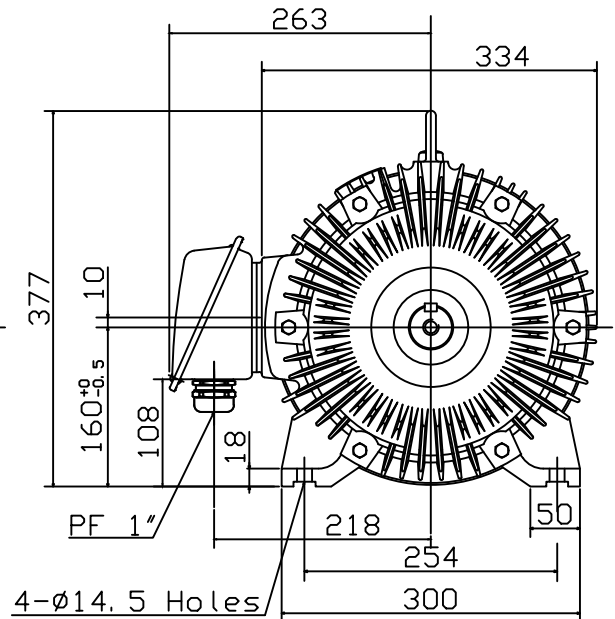
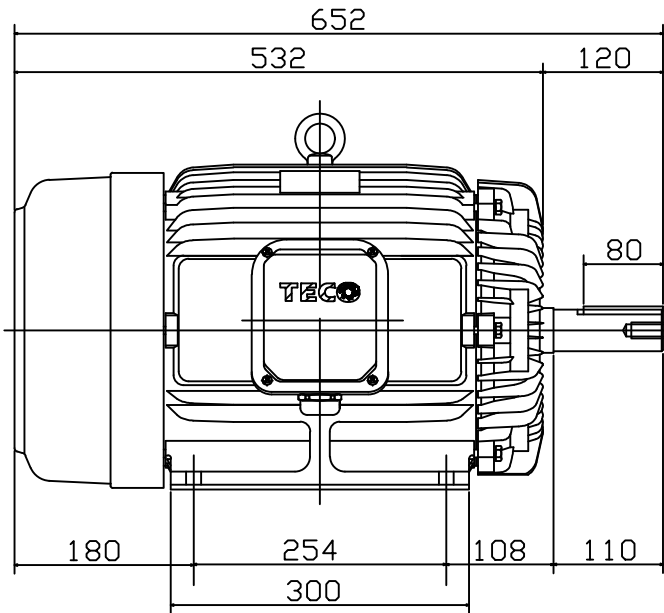
3-PHASE INDUCTION MOTOR

FRAME NO. 160L

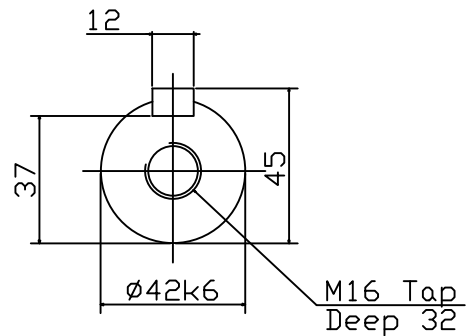
| Pole | HP | KW | Hz | VOLT | r/min |
|------|----|----|----|------|-------|
| . | . | . | . | . | . |

| Ins | Rating | Dimension in | Approx Weight | Bearings |
|-----|--------|--------------|---------------|------------------------|
| F | CONT. | mm | | DE: 6309ZZ NDE: 6307ZZ |

Totally Enclosed Fan-Cooled Type, Squirrel-Cage Rotor.



- Note:
1. IP55 Protection.
 2. CABLE GLAND (PF1") SUITABLE FOR RANGE $\phi 25 \sim \phi 18$



SA20180476

| | | | |
|---|----------|---------|-----|
| ① | 10.06.17 | 取消接地螺栓組 | 高俊民 |
|---|----------|---------|-----|

| | | |
|-------|-----|----------|
| DWG. | 范瓊云 | 07.25.17 |
| CHKD. | 陳奕元 | 07.26.17 |
| APPD. | 楊文? | 07.26.17 |

東元電機股份有限公司
TECO Electric & Machinery Co., Ltd.
 TAIWAN

DWG NO.
 31057M004351